

SISTEM KOMUNIKASI OPTIK

- **MATERI 10**
- **TEKNOLOGI WDM I**

- D3 Teknologi Telekomunikasi – Fakultas Ilmu Terapan



PENDAHULUAN

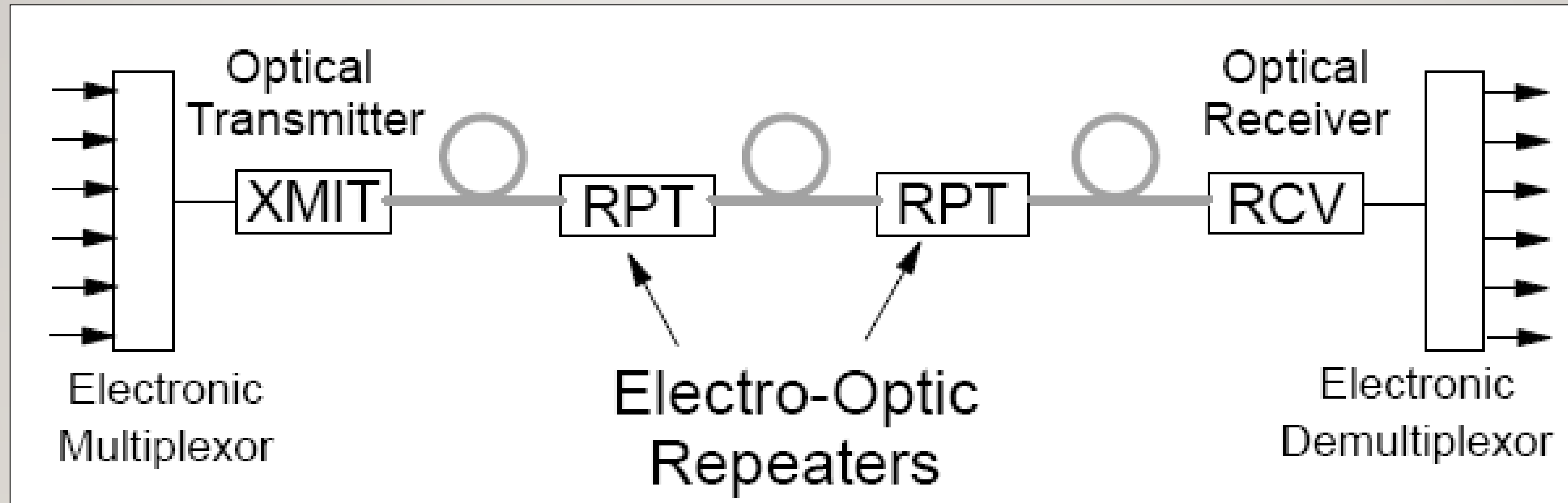
LIMIT :
SPEKTRUM DAN BANDWIDTH

Penyediaan Jaringan Dengan
Qos (*Quality Of Service*) Tinggi

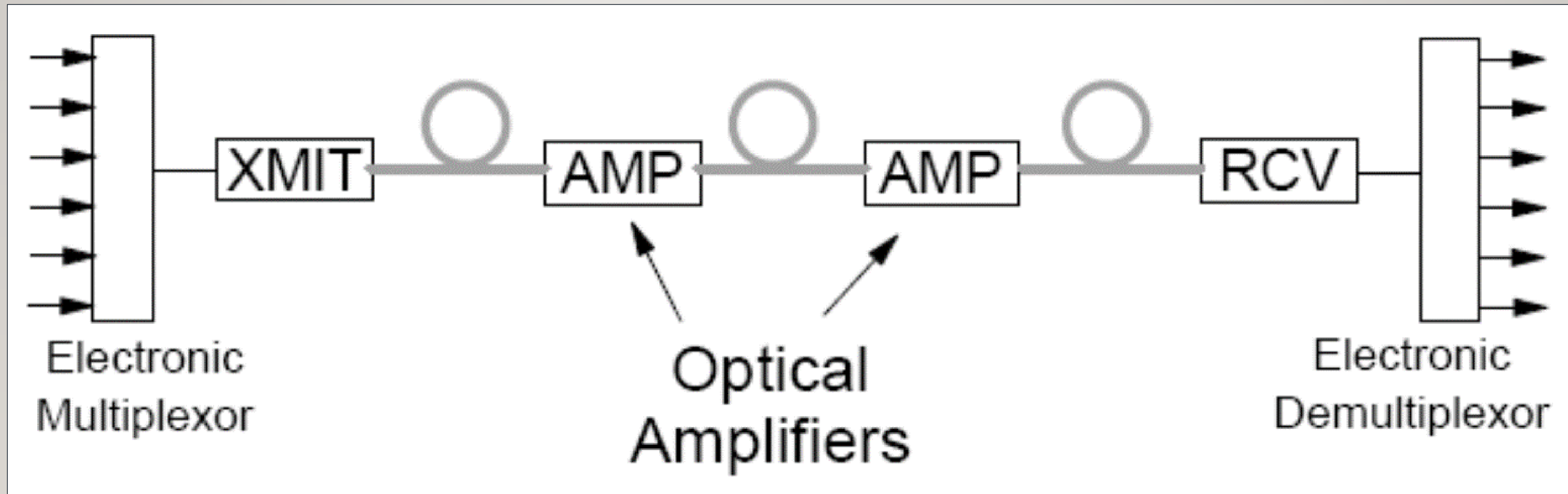
Teknologi Jaringan Transport Berbasis Serat Optik

- Synchronous Digital Hierarchy (SDH)
- Plesiochronous Digital Hierarchy (PDH)
- Wavelength Division Multiplexing (WDM)

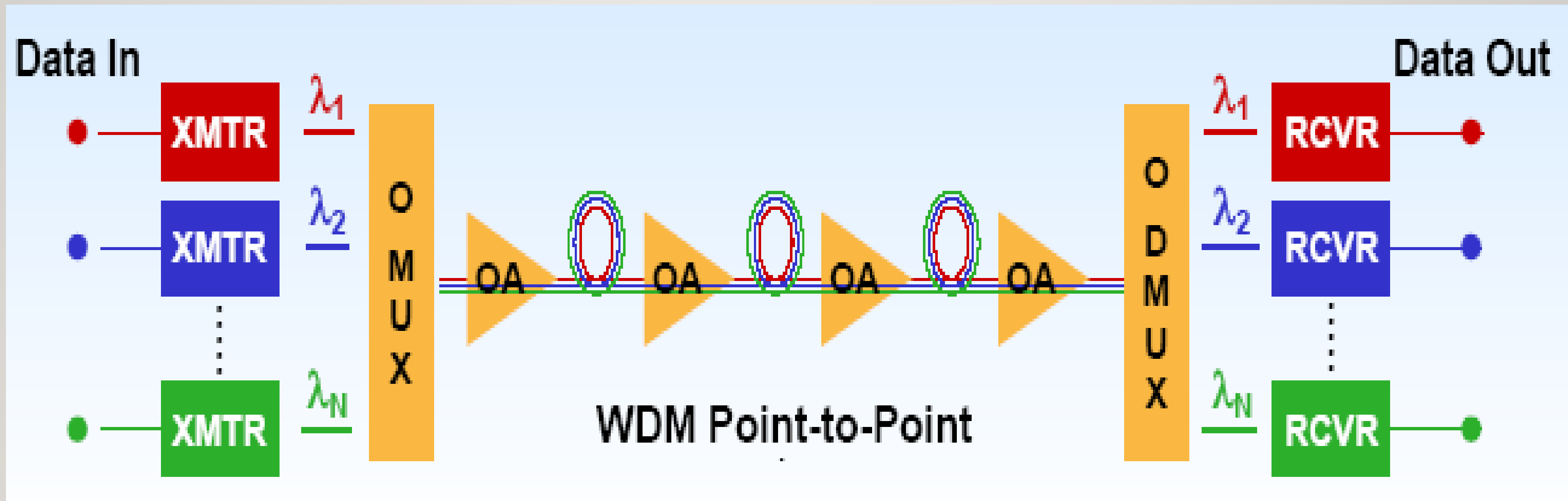
Traditional Single-Channel Systems



Amplified Single-Channel Systems



Wavelength Division Multiplexing





TERIMA KASIH



UNITED STATES OFFICE

1243 Barker Cypress
San Francisco, California



EUROPE OFFICE

13 Ave. Ballarta
Barcelona, Spain



SOUTH AMERICA OFFICE

45 Calle Norte
Argentina